

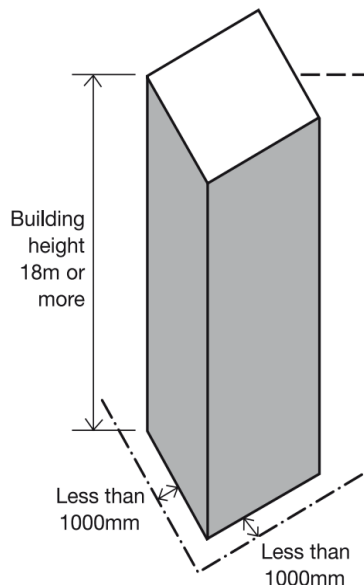
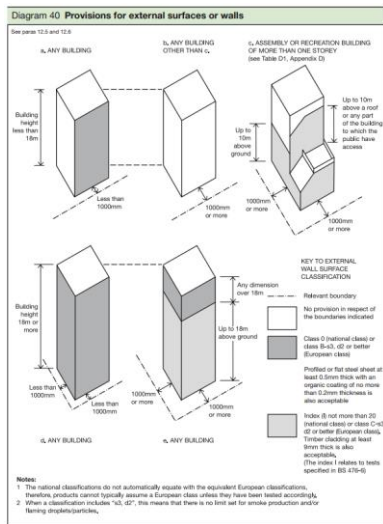


To B or Not To B


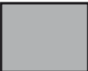


A1 is the answer



Approved Document B



KEY TO EXTERNAL WALL SURFACE CLASSIFICATION

- Relevant boundary
-  No provision in respect of the boundaries indicated
-  Class 0 (national class) or class B-s3, d2 or better (European class)
-  Profiled or flat steel sheet at least 0.5mm thick with an organic coating of no more than 0.2mm thickness is also acceptable
-  Index (I) not more than 20 (national class) or class C-s3, d2 or better (European class). Timber cladding at least 9mm thick is also acceptable. (The index I relates to tests specified in BS 476-6)

d. ANY BUILDING





Accidents as Historic Drivers of Regulatory Change

Exxon Valdez Oil Spill - 1989



“The clean-up is not proceeding well. Believe me, that is an understatement. We have a mess on our hands.”
Exxon Valdez spokesperson

The Woodhead Tunnel - c1985



The Woodhead Tunnel had a higher death rate than the Battle of Waterloo



Future / Retrospective



LookUpStrata @LookUpStrata · 22 Jun 2017

VIC: #Tenants are in the dark on #cladding #fire-trap risk in their buildings
@aishamae @liammannix @theage #Strata



GQR_MCR_cladding @GqrMcr · Jul 27

Here is one of our leaseholders speaking to @radiochelsea on @BBCRadioManc this morning about the morally wrong situation we now find ourselves in. Interview starts 2hr9min in #cladding #claddingscandal #leaseholders



DrPhiomena @KeaneMinds · Sep 19

Thanks to @GMFRS_TonyH #GMFRS for all their time/ work. Separate #political meeting required with #politicians #councillors to discuss #cladding costs billed to #leaseholders rather than #propertydevelopers - @AndyBurnhamGM @PaulDennett @GqrMcr @MancCommunities



Emma Begg @emmalbegg · Aug 20

Wow! Browsing through @Change and it looks like #Cladding is the most popular petition today! As the numbers start to rack up, would be great to hear from your teams @kitmalthouse and @JBrookshire about what can be done to finally take #leaseholders out of the firing line 🙌



FORD @BenjieFord · 26 Jun 2017

@LBC so many councils' #lab&#con have put on #cladding on there #estates not for the #tenants sake just because they've #gentrified an area



www.horizonfacades.com



DCLG Guidance: 2 testing options

A1-rated

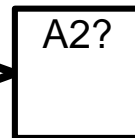
Non-Combustible Materials



Compliant

BS 8414

If A2, B...Material Rating



Compliant





A1 is the Answer

A1-rated



No additional
BS 8414 test



A2-rated

